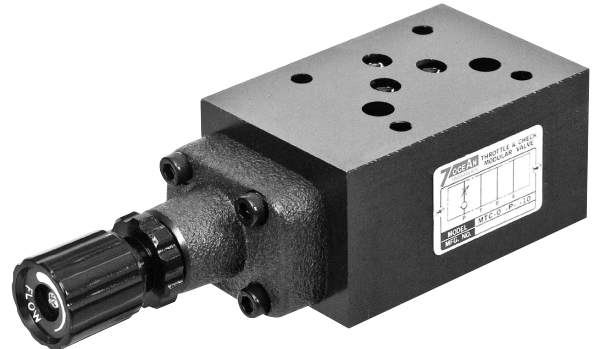


FLOW REGULATOR WITH CHECK VALVE

SANDWICH PLATE DESIGN MTC03 SIZE 10

FEATURES :

- Highest performance in NG 10
- Sandwich plate design
- Connections to DIN, ISO and CETOP



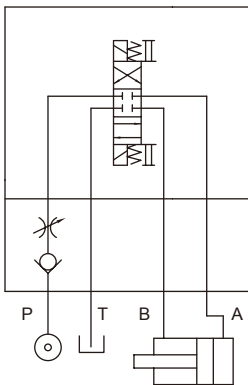
Model: MTC-03-P-10

SPECIFICATION :

Maximum Flow Rate	100 l/Min (26.5 GPM)
Maximum working pressure	320 Bar (4570 PSI)
Check valve cracking pressure	0.4 Bar (5.7 PSI)
Ambient Temperature Range	-20°C ~ +50°C
Hydraulic Fluid Temperature Range	-20°C ~ +70°C
Viscosity Range	15~400 mm ² /s
Hydraulic Oil	ISO VG32, 46, 68
Fluid Cleanliness	25 μm
Mounting Pattern	ISO 4401-AC-05-4-A
Weight	3.0 kg

HYDRAULIC CONFIGURATION:

- MTC-03-P-10



FLOW REGULATOR WITH CHECK VALVE

SANDWICH PLATE DESIGN MTC03 SIZE 10

ORDERING CODE :

M TC - 03 - P - 10 - **

1 2 3 4 5 6

- 1 SANDWICH PLATE DESIGN
- 2 FLOW REGULATOR WITH CHECK VALVE
- 3 NOMINAL VALVE SIZE:

NG 10, CETOP 5 and ISO 4401-05 (NFPA-D05/DIN 24340)

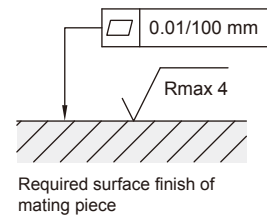
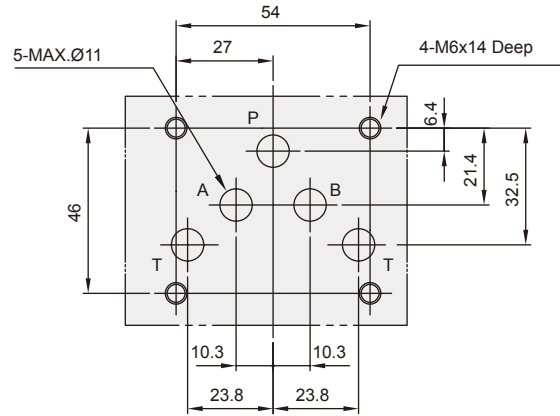
- 4 CONFIGURATION
- P: single, acting on port P

- 5 DESIGN NUMBER
- 10: with handle
20: without handle

- 6 OPTIONAL INQUIRY

INSTALLATION DIMENSIONS:

(Machined valve mounting face with position of ports)

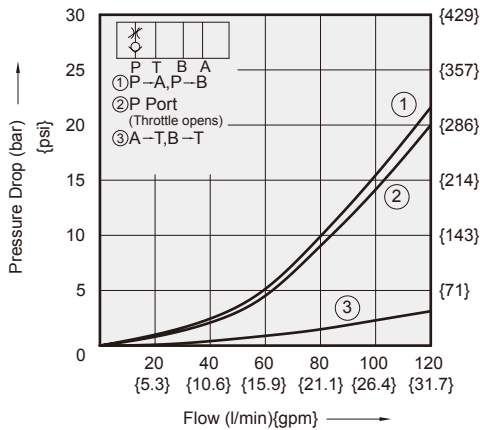


PERFORMANCE CURVES:

Viscosity of Hydraulic Fluid: 32 mm²/s

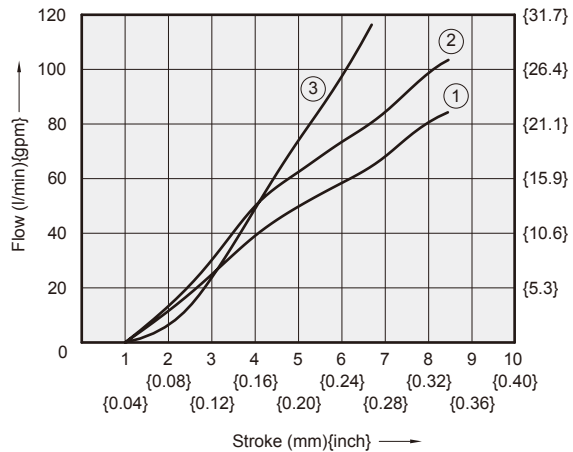
Pressure Drop Characteristic

■ MTC-03-P-10



Stroke V.S. Flow Diagram

■ MTC-03-P-10



- ① Pressure Difference = 10 bar {143psi}
- ② Pressure Difference = 15 bar {214psi}
- ③ Pressure Difference = 50 bar {714psi}

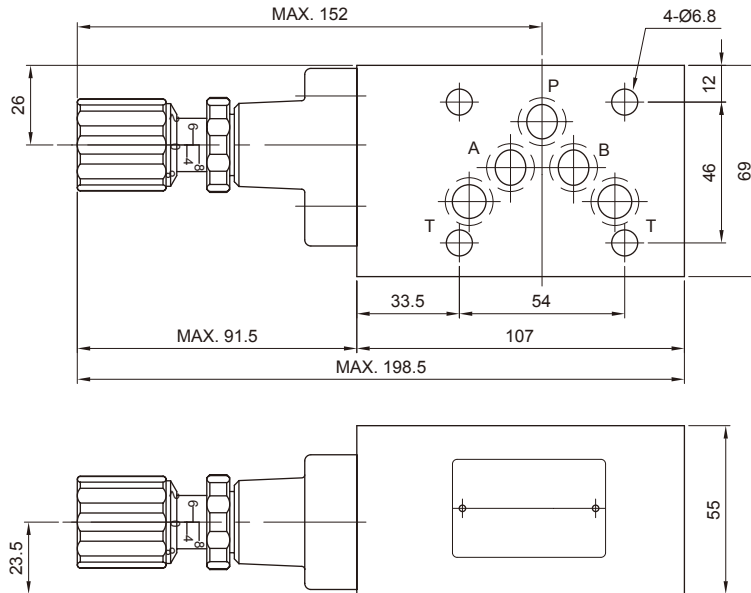
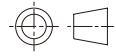
FLOW REGULATOR WITH CHECK VALVE

SANDWICH PLATE DESIGN MTC03 SIZE 10

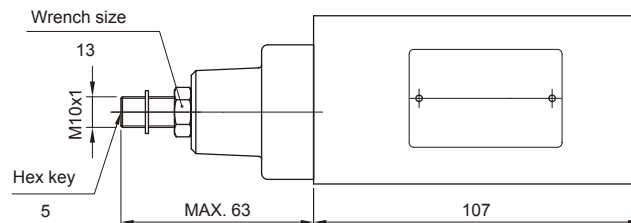
DIMENSIONS :

■ MTC-03-P-10

3rd angle projection

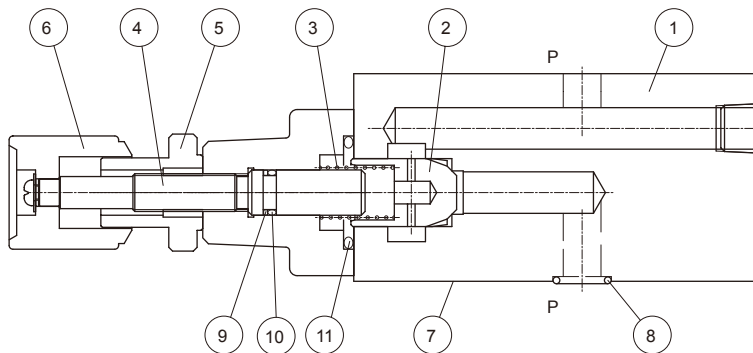


■ MTC-03-P-20



CROSS SECTION DRAWING :

■ MTC-03-P-10



1. Body
2. Throttle
3. Spring
4. Setting screw
5. Locking nut
6. Adjustment element
7. Connections to DIN 24340 from A10;
valve fixing screws M6x90 DIN 912-10.9,
tightening torque 12~15 Nm
8. O-ring AS586-014(Hs90)
for ports A,B,P and T
9. O-ring BU-P9
10. O-ring 1A-P9
11. O-ring 1B-P24