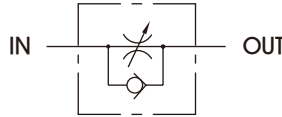


FLOW CONTROL VALVE

FEATURES :

- Compact and lightweight, requires very little space for installation
- Pressure is internally balanced for light handle operation, even at high pressure.

GRAPHIC SYMBOLS:



Model: FCI-06-*-10

SPECIFICATION :

Model	FCI-02-*-10	FCI-03-*-10	FCI-04-*-10	FCI-06-*-10
Flow Rate	19 L/min	30 L/min	57 L/min	95 L/min
Max. Limited Pressure	250 Bar			
Check Valve Cracking Pressure	1: 0.35 Bar		2: 3.5 Bar	
Weight (kg)	0.3 Kg	0.4 Kg	0.8 Kg	1.2 Kg

ORDERING CODE :

FCI - 02 - 1 - N - 10

1 2 3 4 5

1 FLOW CONTROL VALVE

2 NOMINAL VALVE SIZE

3 CHECK VALVE CRACKING PRESSURE

1: 0.35 Bar

2: 3.5 Bar

4 THREAD

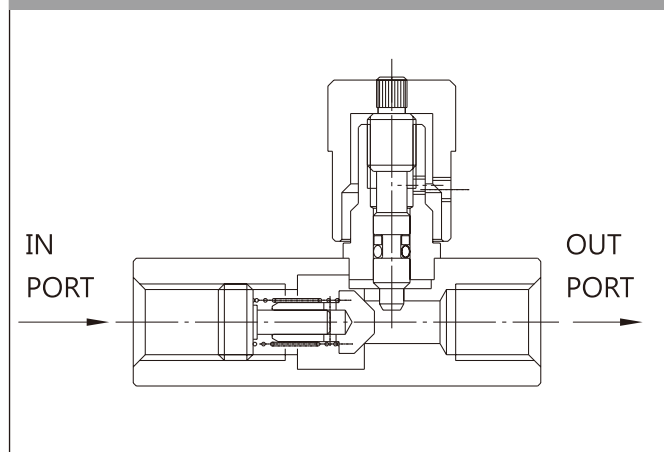
N: NPT

R: RC

B: BSP

5 DESIGN NUMBER

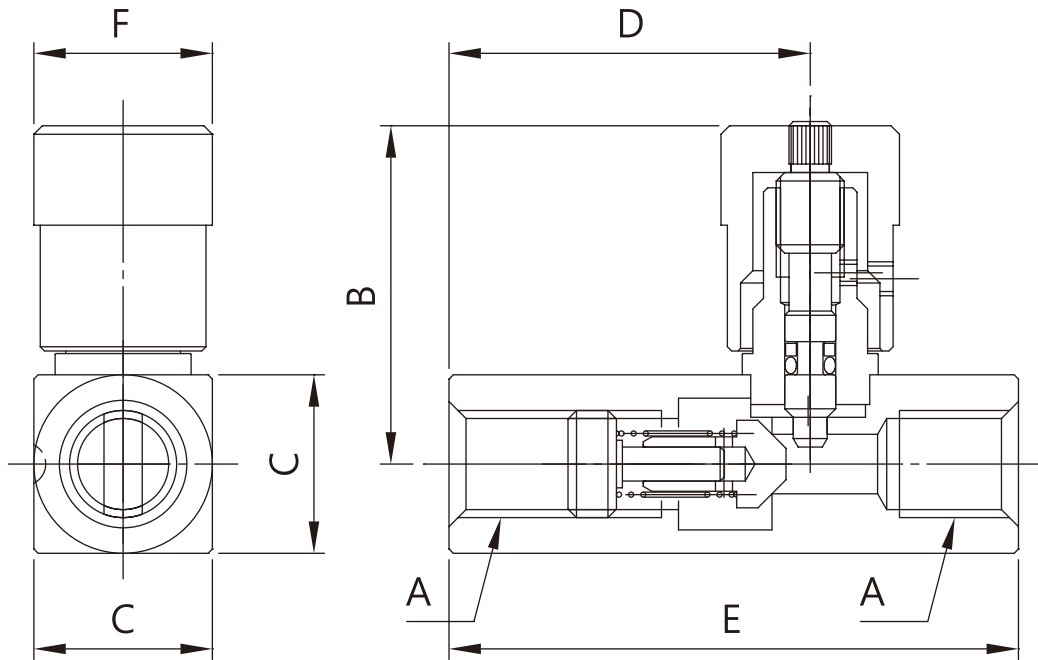
CROSS SECTION DRAWING :



FLOW CONTROL VALVE

DIMENSIONS :

■ FCI-*-*-10



Model	A	B	C	D	E	F
FCI-02-*-10	1/4"~18 NPTF	40	7/8"	4.2	67	ø21
FCI-03-*-10	3/8"~18 NPTF	45	1"	50	70	ø26
FCI-04-*-10	1/2"~14 NPTF	57.5	1-1/4"	60.5	87	ø32
FCI-06-*-10	3/4"~14 NPTF	67.5	1-1/2"	72	99	ø36